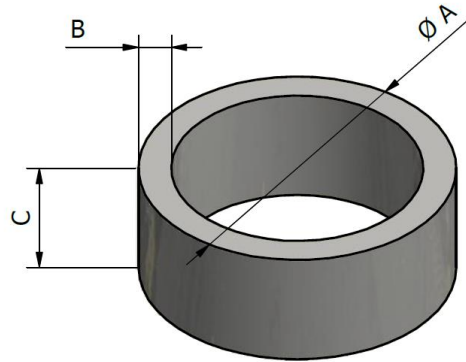


ROLLED PRODUCTS



| | Min | Max |
|--------------------------|-----|-------|
| A) Outside Diameter (mm) | 400 | 1.500 |
| B) Thickness (mm) | 50 | 400 |
| C) Height (mm) | 50 | 400 |
| Rolled weight (Kg) | - | 1.000 |



PROCESS



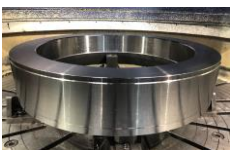
The production start from an accurate selection of the types of steel.



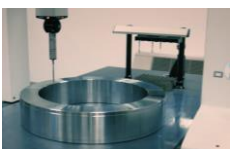
One production line consisting of a 5.000 Tons hydraulic press and facility for rings.



In-house heat treatment with 5 gas furnaces and 2 tanks with different polymers concentration.



A flexible in house machining services for who require a semi- or finished- machined products ready for final assembly.



A variety of non destructive examinations and destruction testing to ensure rings respect customer's specifications. Quality Management is 9001:2015 certified.

